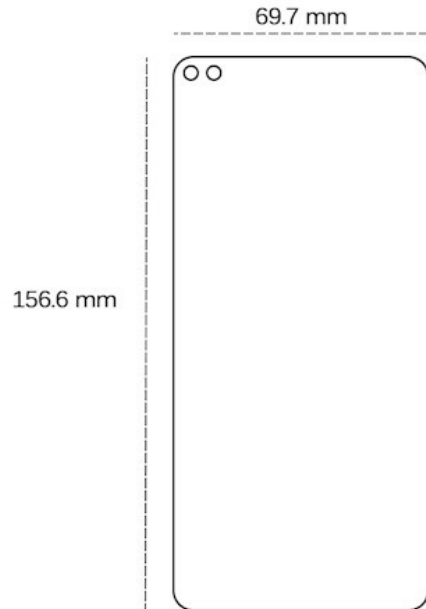




Tempered glass 2,5D for Motorola Moto G100 / G200 / G60S / G51 5G T-Phone Pro 6/128GB

OEM0200368
5900495928078

Buy now



2.5D tempered glass with a hardness of 9H effectively protects the phone's screen from damage. It provides full image clarity and resistance to fingerprints and dirt thanks to its oleophobic coating. Its ultra-thin design with a thickness of 0.3 mm allows for full sensitivity of the touch screen. The adhesive covering the entire surface eliminates the risk of dust and dirt accumulation under the glass, while the rounded edges enhance comfort and safety during use. The product is intended for phones with flat screens.

Specification

Set contains: wet wipe
dry wipe
Brand: TFO
Thickness: 0,30 mm
Hardness: 9H
Material: tempered glass
Warranty: 24 month

Attribute

- screen protection

Compatibility

Motorola Moto G100, Motorola Moto G200, Motorola Moto G60s, Motorola Moto G51, Motorola Moto G9 Power, T-Phone Pro 6